

LOCATION

Latitude: -27.663116
 Longitude: 153.372874
 Elevation: 15.50 m

Search... Clear

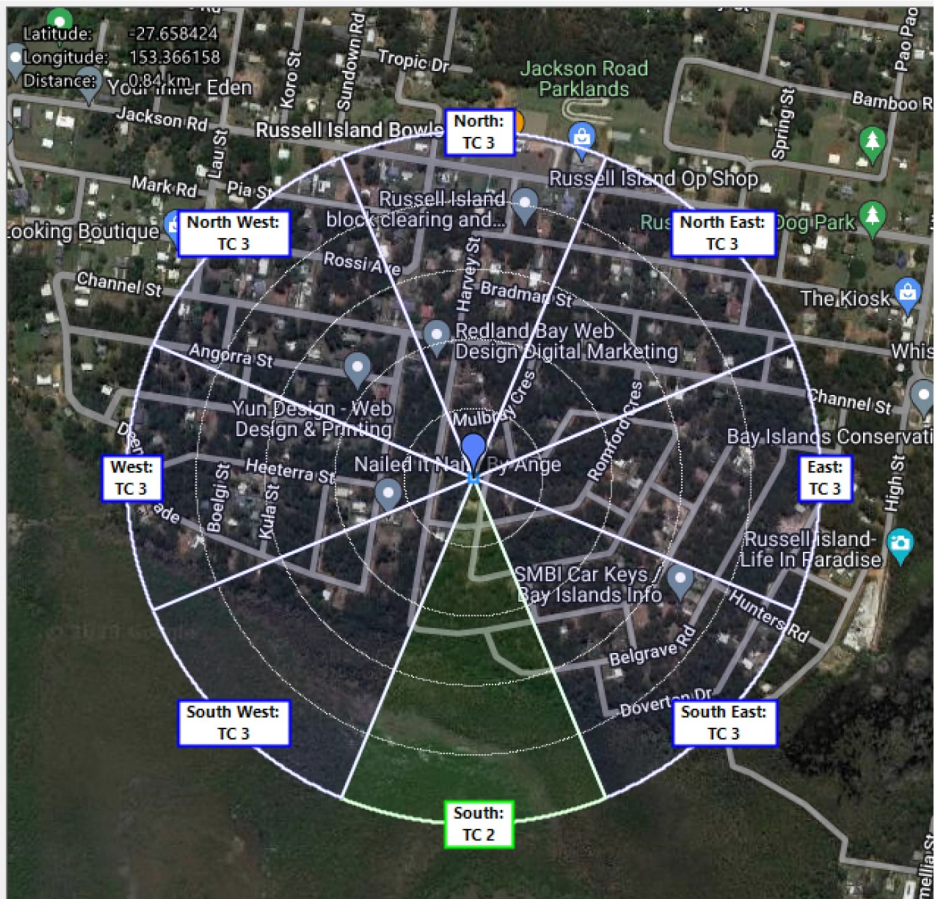
DESIGN

Reference: AS 4055-2021

WIND

Region: B
 Critical Direction: North
 Class: N3
 Ultimate Vh: 50 m/s
 Serviceability Vh: 32 m/s

Terrain	Topography	Shielding
North	TC 3	
North East	TC 3	
East	TC 3	
South East	TC 3	
South	TC 2	
South West	TC 3	
West	TC 3	
North West	TC 3	

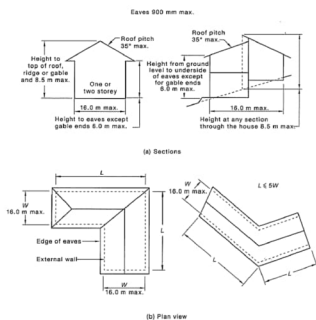


Class 1 and 10 structures (per the National Construction Code) can be designed using AS 4055 if they fall within the **geometric limits** set out in Clause 1.2:

- Maximum external wall height under the eaves $\leq 6.0\text{m}$
- Maximum roof height above the natural ground line $\leq 8.5\text{m}$
- Maximum house width between external walls across the ridge line $\leq 16\text{m}$
- Maximum roof pitch $\leq 35^\circ$

GEOMETRY, from AS 4055-2012: The illustration below from the AS 4055 standard details these

Where the proposed house design falls outside the limitations outlined in AS 4055, the alternate standard AS 1170.2 must be used to determine the applicable wind loads.



WIND CLASSIFICATION IS N3: AS4055:2021

Signed:

WIND ASSESSMENT
 for property at
71 WOODLANDS CIRCUIT
RUSSELL ISLAND, QLD



THE ISLAND ENGINEER
 ABN 78 229 845 467

RAYMOND SAUNDERS
 CIVIL & STRUCTURAL ENGINEER RPEQ11020

14 COOEE CRES. MACLEAY ISLAND
 e: theislandengineer@gmail.com
 m: 0409 586 794

5004228W-REV 0
28 APRIL 2023